

morfblock. [XL]

TECHNICAL SPECS

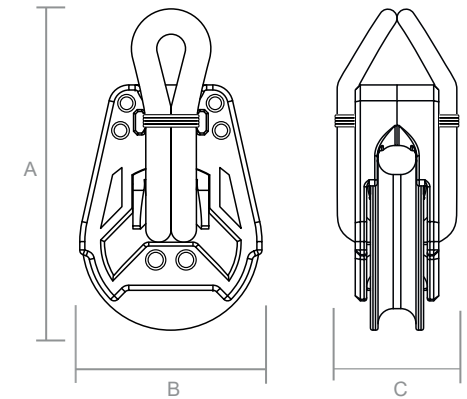


[M]
MORFRAC

morfblock.^[XL] TECHNICAL SPECS

XL

Description	Sheave	Max Line	Dimensions [mm]			SWL	Weight
	ø mm	ø mm	A	B	C	Kg	gram
morfblock.[XL] 1 XL - High load	50	12	88	50	40	1200	73
morfblock.[XL] 1 XL - High load (with becket)	50	12	88	50	40	1200	77
morfblock.[XL] 1 XL - High performance	50	12	88	50	40	1000	73
morfblock.[XL] 1 XL - High performance (with becket)	50	12	88	50	40	1000	77
morfblock.[XL] 2 XL - High load	60	14	105	60	44	2000	105
morfblock.[XL] 2 XL - High load (with becket)	60	14	105	60	44	2000	110
morfblock.[XL] 2 XL - High performance	60	14	105	60	44	1500	105
morfblock.[XL] 2 XL - High performance (with becket)	60	14	105	60	44	1500	110
morfblock.[XL] 3 XL - High load	70	14	125	70	52	3000	175
morfblock.[XL] 3 XL - High load (with becket)	70	14	125	70	52	3000	184
morfblock.[XL] 3 XL - High performance	70	14	125	70	52	2300	175
morfblock.[XL] 3 XL - High performance (with becket)	70	14	125	70	52	2300	184
morfblock.[XL] 5 XL - High load - Titanium sheave	80	18	145	80	67	5000	260
morfblock.[XL] 5 XL - High load (with becket) - Titanium sheave	80	18	145	80	67	5000	273
morfblock.[XL] 8 XL - High load - Titanium sheave	90	20	165	90	70	8000	415
morfblock.[XL] 8 XL - High load (with becket) - Titanium sheave	90	20	165	90	70	8000	439
morfblock.[XL] 10 XL - High load - Titanium sheave	100	24	185	100	74	10000	577
morfblock.[XL] 10 XL - High load (with becket) - Titanium sheave	100	24	185	100	74	10000	606
morfblock.[XL] 12 XL - High load - Titanium sheave	110	26	215	110	76	12500	839
morfblock.[XL] 12 XL - High load (with becket) - Titanium sheave	110	26	215	110	76	12500	880
morfblock.[XL] 15 XL - High load - Titanium sheave	120	28	245	120	80	15000	958
morfblock.[XL] 15 XL - High load (with becket) - Titanium sheave	120	28	245	120	80	15000	1052



morfblock

morfblock. [LIGHT]

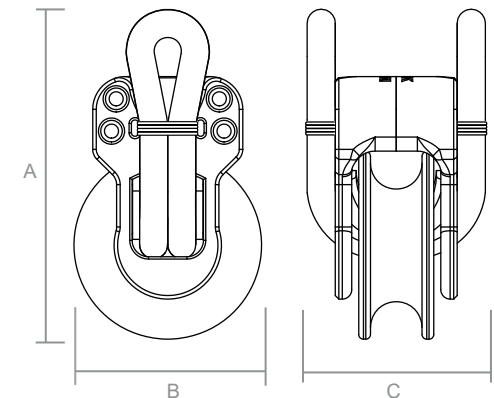
TECHNICAL SPECS



[M]
MORFRAC

morbblock.^[LIGHT] TECHNICAL SPECS

Description	Sheave	Max Line	Dimensions [mm]			SWL	Weight
	∅ mm	∅ mm	A	B	C	Kg	gram
morbblock.[LIGHT] 0.5 - High load	15	5	30	20	21	155	3
morbblock.[LIGHT] 0.5 - High Performance	15	5	30	20	21	125	3
morbblock.[LIGHT] 1 - High load	20	5	30	20	21	225	6
morbblock.[LIGHT] 1 - High load (with becket)	20	5	30	20	21	225	7
morbblock.[LIGHT] 1 - High performance	20	5	30	20	21	170	6
morbblock.[LIGHT] 1 - High performance (with becket)	20	5	30	20	21	170	7
morbblock.[LIGHT] 2 - High load	30	6	51	30	26	450	16
morbblock.[LIGHT] 2 - High load (with becket)	30	6	51	30	26	450	16.8
morbblock.[LIGHT] 2 - High performance	30	6	51	30	26	335	16
morbblock.[LIGHT] 2 - High performance (with becket)	30	6	51	30	26	335	16.8
morbblock.[LIGHT] 3 - High load	40	12	70	40	35	1000	42
morbblock.[LIGHT] 3 - High load (with becket)	40	12	70	40	35	1000	44.1
morbblock.[LIGHT] 3 - High performance	40	12	70	40	35	750	42
morbblock.[LIGHT] 3 - High performance (with becket)	40	12	70	40	35	750	44.1
morbblock.[LIGHT] 4 - High load	50	14	88	50	48	2000	84
morbblock.[LIGHT] 4 - High load (with becket)	50	14	88	50	48	2000	88.2
morbblock.[LIGHT] 4 - High performance	50	14	88	50	48	1500	84
morbblock.[LIGHT] 4 - High performance (with becket)	50	14	88	50	48	1500	88.2
morbblock.[LIGHT] 5 - High load	60	16	105	60	54	2800	133
morbblock.[LIGHT] 5 - High load (with becket)	60	16	105	60	54	2800	139.65
morbblock.[LIGHT] 5 - High performance	60	16	105	60	54	2100	133
morbblock.[LIGHT] 5 - High performance (with becket)	60	16	105	60	54	2100	139.65
morbblock.[LIGHT] 6 - High load	70	20	125	70	66	4500	266
morbblock.[LIGHT] 6 - High load (with becket)	70	20	125	70	66	4500	279.3
morbblock.[LIGHT] 6 - High performance	70	20	125	70	66	3300	266
morbblock.[LIGHT] 6 - High performance (with becket)	70	20	125	70	66	3300	279.3



morfblock. [WOOD]

TECHNICAL SPECS

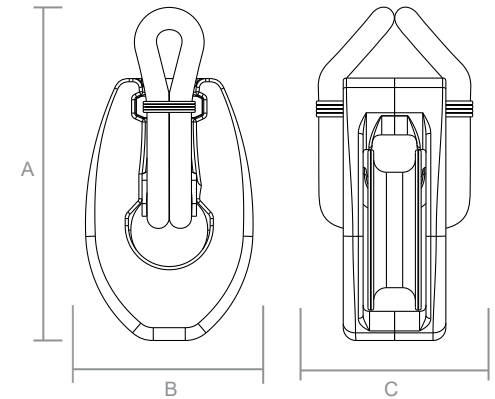


MORFRAC

morbblock._[WOOD] TECHNICAL SPECS

L W W O

Description	Sheave	Max Line	Dimensions [mm]			SWL	Weight
	ø mm	ø mm	A	B	C	Kg	gram
morbblock.[WOOD] 1 W - High load	50	12	100	52	40	1200	73
morbblock.[WOOD] 1 W - High load (with becket)	50	12	100	52	40	1200	76.65
morbblock.[WOOD] 1 W - High performance	50	12	100	52	40	1000	73
morbblock.[WOOD] 1 W - High performance (with becket)	50	12	100	52	40	1000	76.65
morbblock.[WOOD] 2 W - High load	60	14	115	62	44	2000	105
morbblock.[WOOD] 2 W - High load (with becket)	60	14	115	62	44	2000	110.25
morbblock.[WOOD] 2 W - High performance	60	14	115	62	44	1500	105
morbblock.[WOOD] 2 W - High performance (with becket)	60	14	115	62	44	1500	110.25
morbblock.[WOOD] 3 W - High load	70	14	135	72	52	3000	175
morbblock.[WOOD] 3 W - High load (with becket)	70	14	135	72	52	3000	183.75
morbblock.[WOOD] 3 W - High performance	70	14	135	72	52	2300	175
morbblock.[WOOD] 3 W - High performance (with becket)	70	14	135	72	52	2300	183.75
morbblock.[WOOD] 5 W - High load - Titanium sheave	80	18	155	85	70	5000	260
morbblock.[WOOD] 5 W - High load (with becket) - Titanium sheave	80	18	155	85	70	5000	273
morbblock.[WOOD] 8 W - High load - Titanium sheave	90	20	175	95	74	8000	415
morbblock.[WOOD] 8 W - High load (with becket) - Titanium sheave	90	20	175	95	74	8000	439
morbblock.[WOOD] 10 W - High load - Titanium sheave	100	24	195	105	78	10000	577
morbblock.[WOOD] 10 W - High load (with becket) - Titanium sheave	100	24	195	105	78	10000	619
morbblock.[WOOD] 12 W - High load - Titanium sheave	110	26	225	115	80	12500	839
morbblock.[WOOD] 12 W - High load (with becket) - Titanium sheave	110	26	225	115	80	12500	895
morbblock.[WOOD] 15 W - High load - Titanium sheave	120	28	255	125	84	15000	995
morbblock.[WOOD] 15 W - High load (with becket) - Titanium sheave	120	28	255	125	84	15000	1090



morbblock